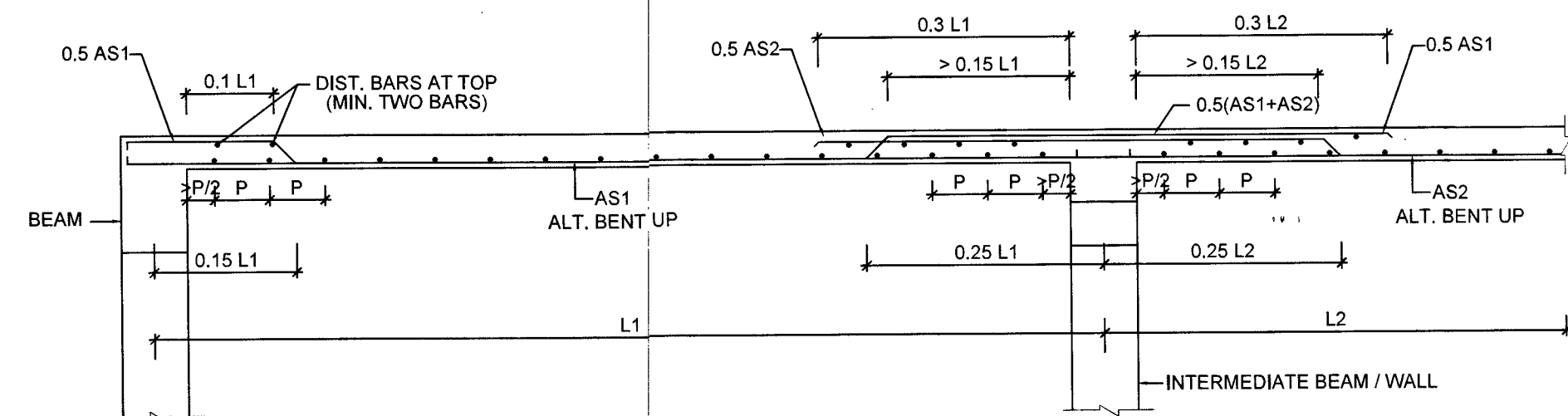
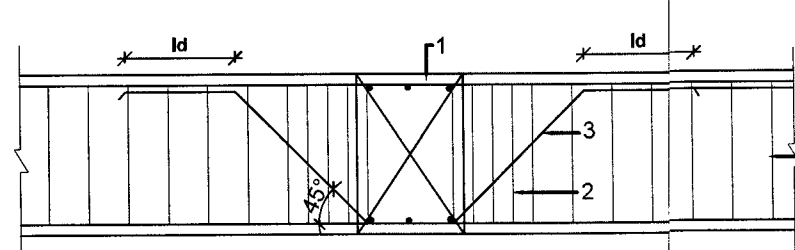


TYPICAL DETAIL OF BEAM COLUMN JUNCTION

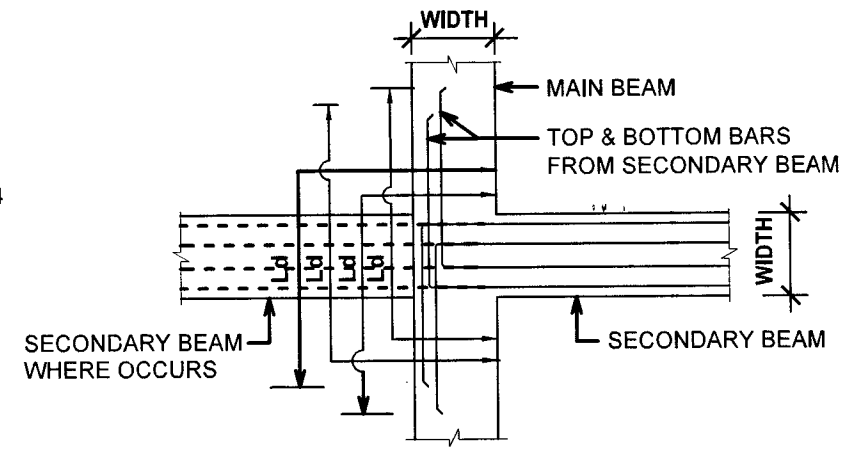


TYPICAL DETAIL OF SLAB REINFORCEMENT

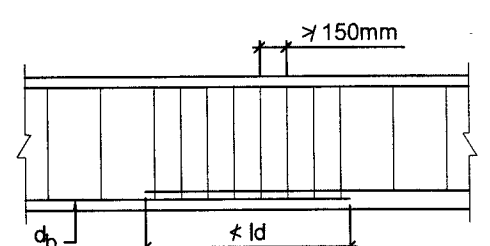


1. SECONDARY BEAM (OF SAME SIZE OR SMALLER)
2. CLOSE TIES (10 # @ 75 C/C, 4 MIN EACH SIDE)
3. SPECIALLY SHAPED HANGER BAR-3 NOS 10 #
4. MAIN BEAM

DETAILS OF BEAM TO BEAM JUNCTION

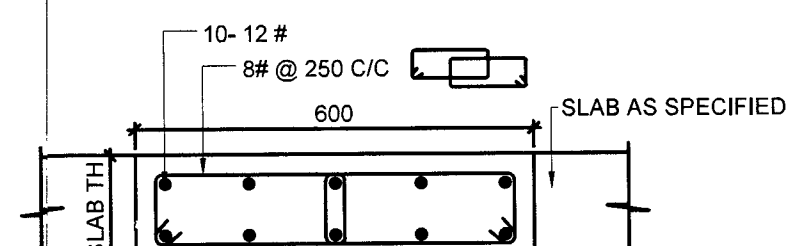


TYPICAL DETAIL OF BEAM RESTING ON BEAM

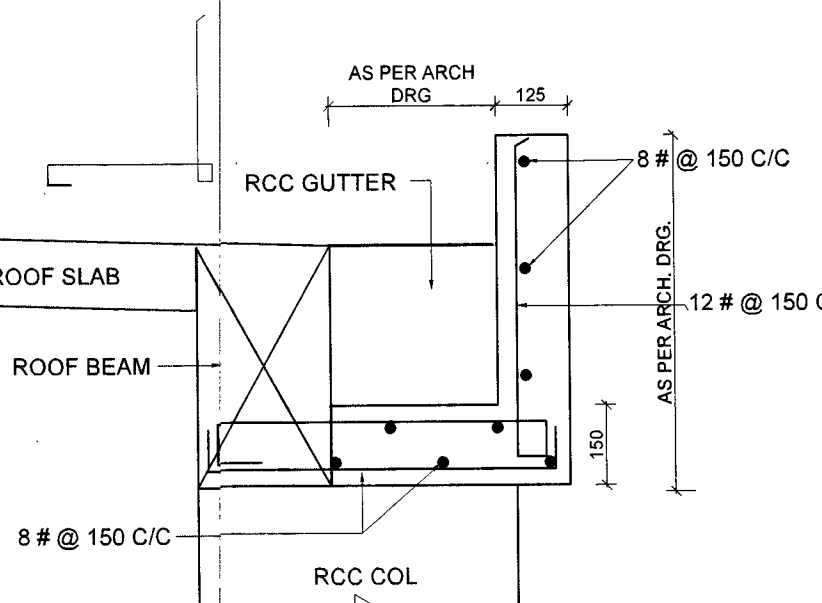


TYPICAL DETAIL FOR LAP SPLICE IN BEAM AND COL

ld = DEVELOPMENT LENGTH IN TENSION
 ϕ = BAR DIAMETER

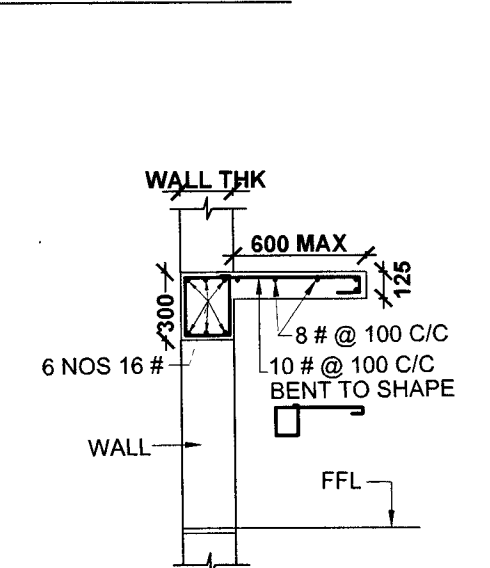


TYP DETAIL OF HB

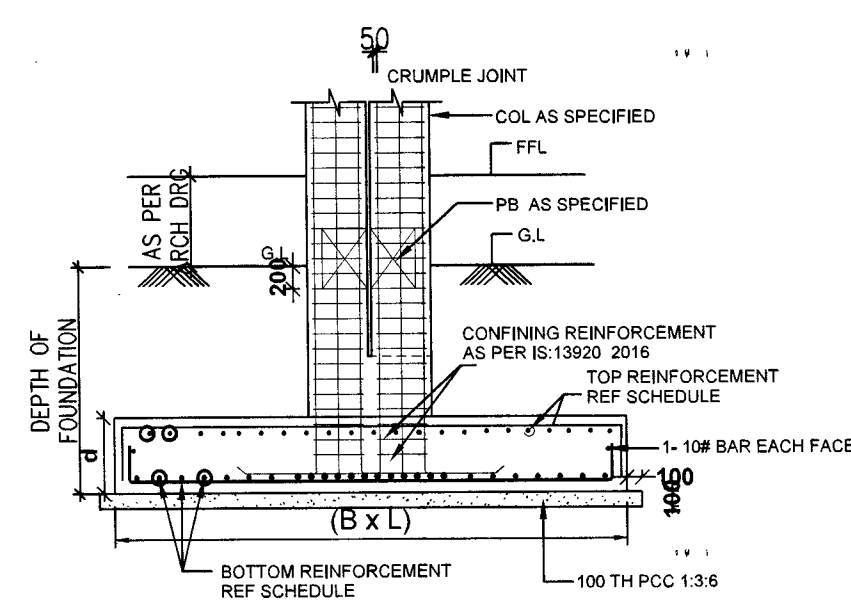


TYPICAL DETAIL OF RCC GUTTER

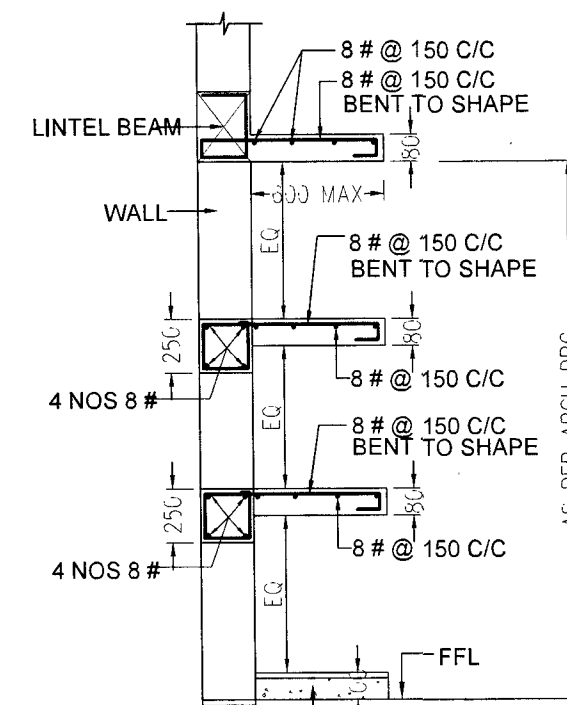
REINFORCEMENT DETAILS AROUND OPENING



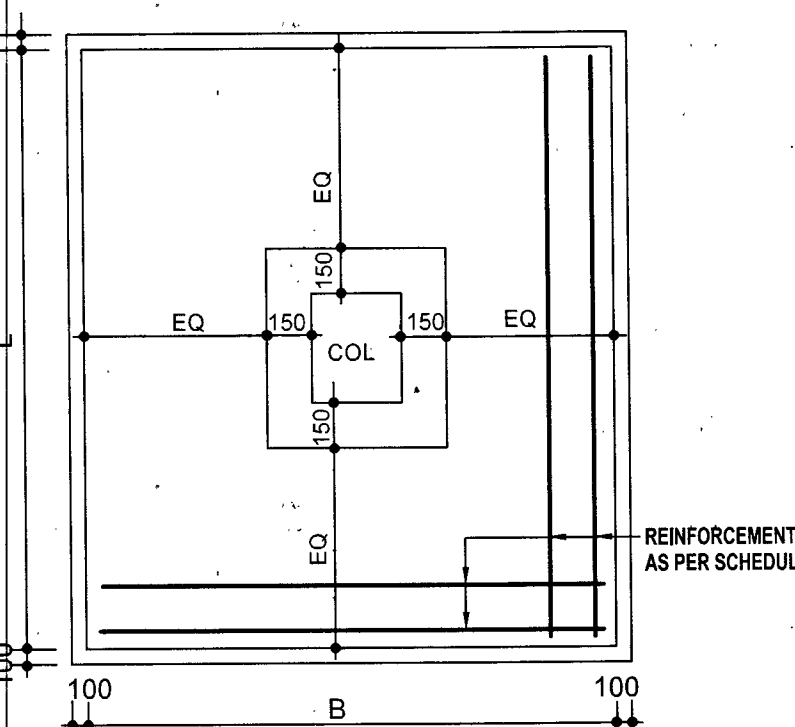
TYP STRUCTURAL DETAIL OF RCC PLATFORM



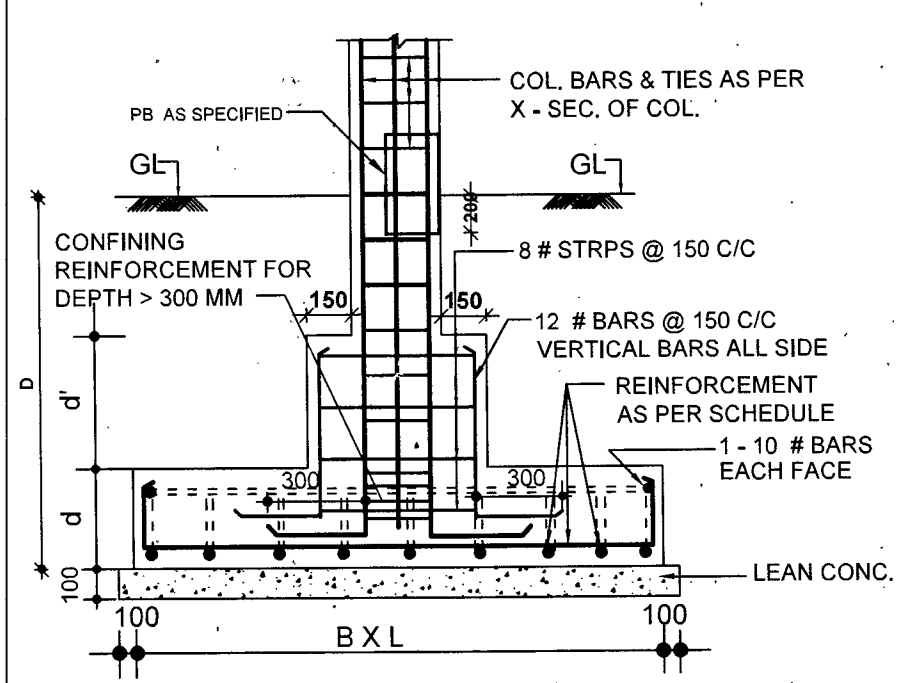
TYPICAL DETAIL OF COMBINED FOOTING (AT CRUMPLE JOINT)



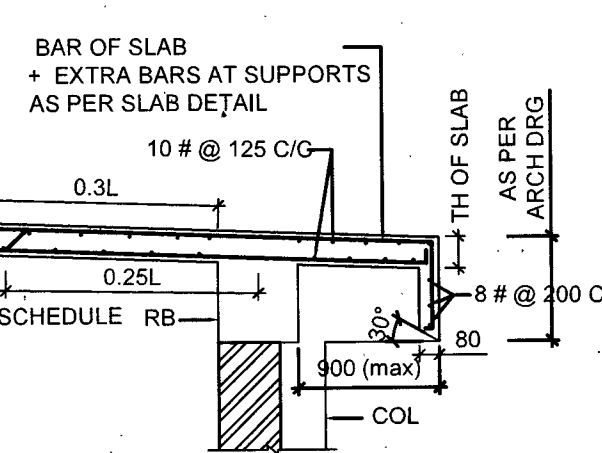
TYP STRUCTURAL DETAIL OF THREE TIER SHELVING



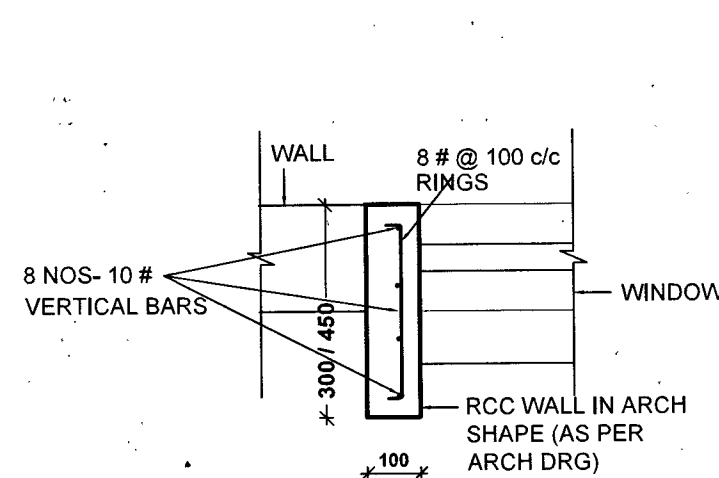
TYP ISOLATED COL. FOOTING PLAN (RECTANGULAR COLUMN)



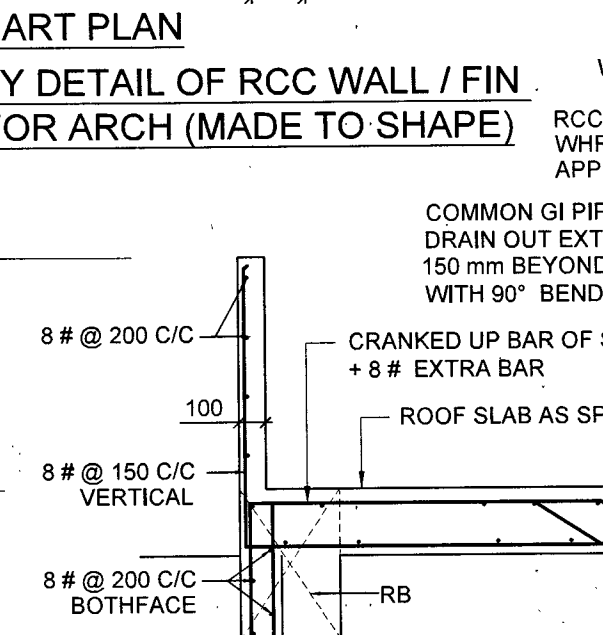
TYP SECTION OF ISOLATED COL. FOOTING



TYP. DETAILS OF ROOF PROJECTION

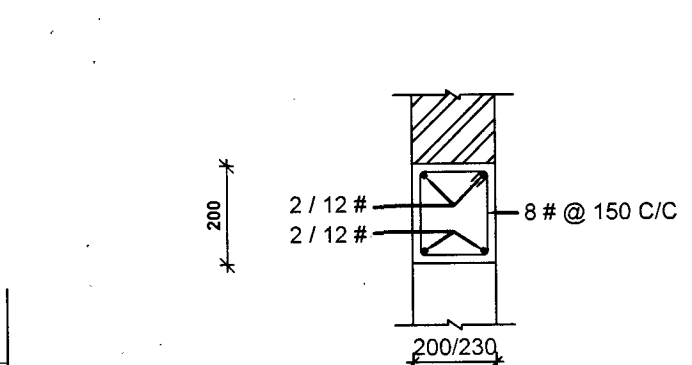


TYP STRUCTURAL DETAIL OF RCC PARAPET

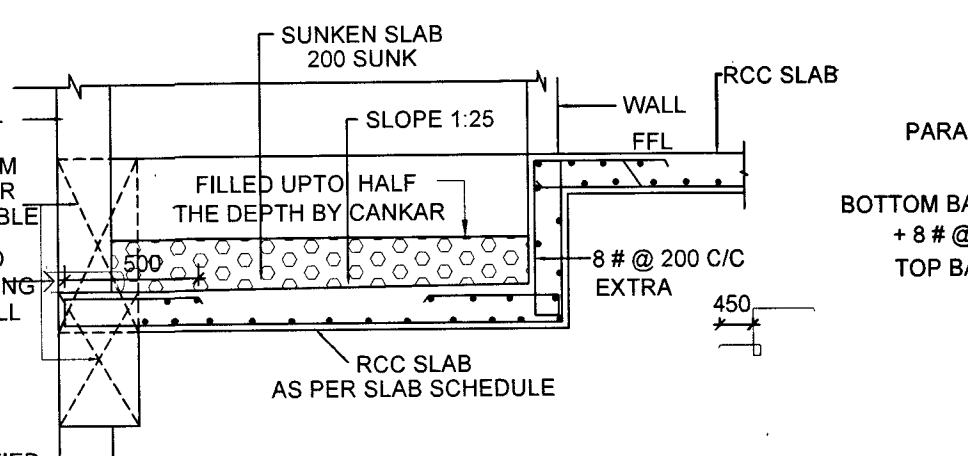


TYP STRUCTURAL DETAIL OF RCC PARAPET

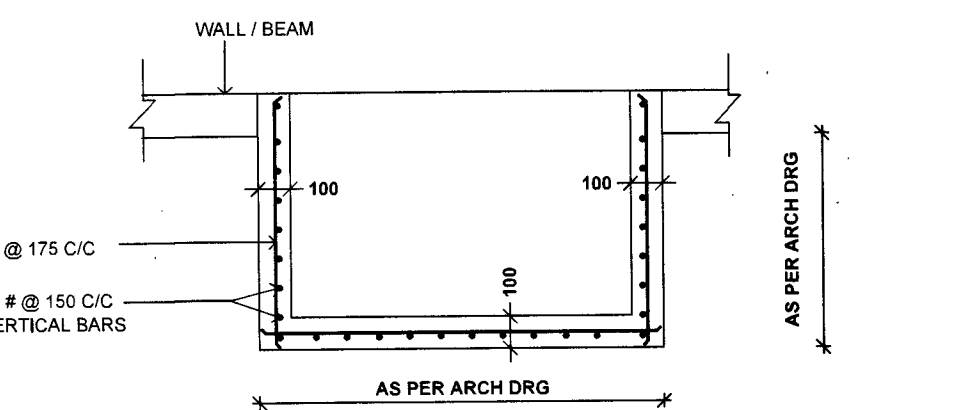
DWARF WALL FOUNDATION (DWF)



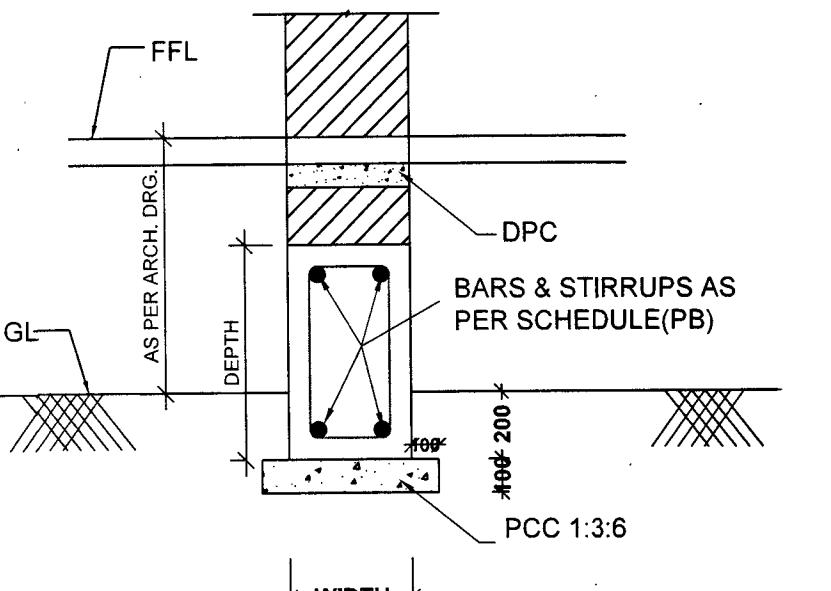
LINTEL FOR CLEAR SPAN UP TO 1.0 M (FOR MAX HEIGHT OF WALL UP TO 2.1 M)



PART SECTION SHOWING SLAB PROJECTION FROM PB/FB FOR WARDROBE RCC WALL AND LOCKERS

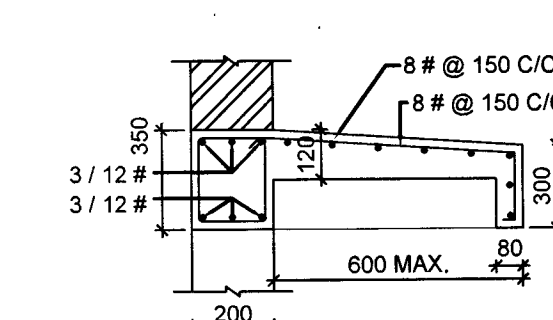


TYPICAL SECTIONAL PLAN OF RCC WARDROBE AND LOCKERS AS SHOWN IN ARCH DRG.

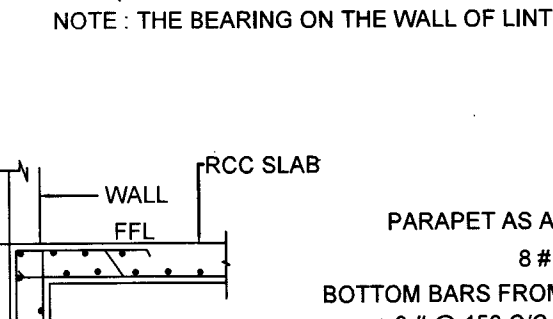


TYP X-SEC. OF PLINTH BEAM (PB)

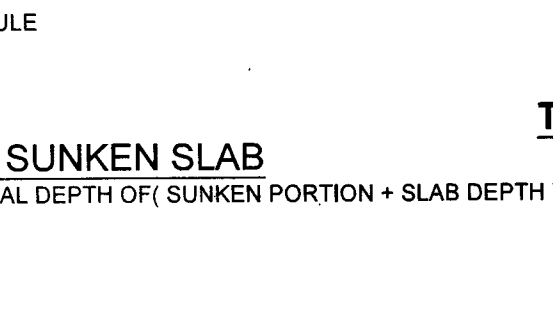
LINTEL WITH CHAJJA HAVING CLEAR SPAN UP TO 1.5 M (FOR MAX HEIGHT OF WALL UP TO 2.1 M)



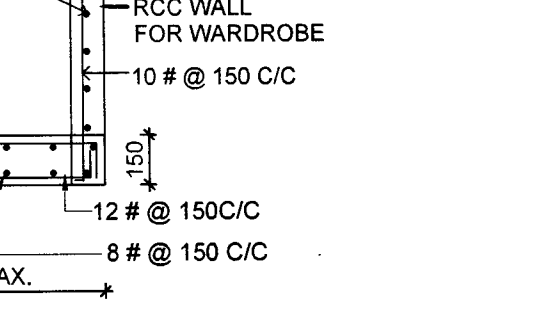
LINTEL WITH CHAJJA HAVING CLEAR SPAN UP TO 2.0 M (FOR MAX HEIGHT OF WALL UP TO 2.1 M)



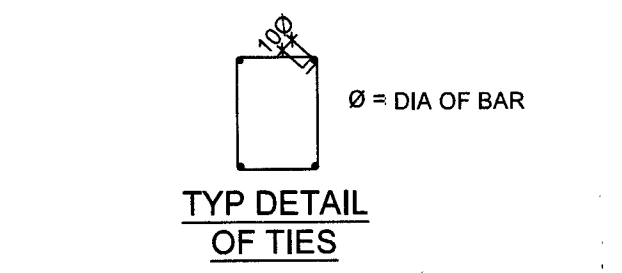
LINTEL FOR CLEAR SPAN UP TO 1.5 M (FOR MAX HEIGHT OF WALL UP TO 2.1 M)



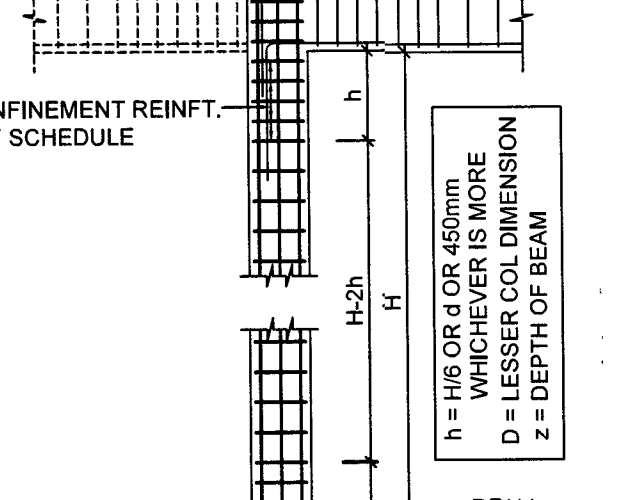
LINTEL FOR CLEAR SPAN UP TO 2.0 M (FOR MAX HEIGHT OF WALL UP TO 2.1 M)



TYPICAL DETAIL OF TOILET SUNKEN SLAB (NOTE: DEPTH OF RCC BEAM SHALL BE TOTAL DEPTH OF (SUNKEN PORTION + SLAB DEPTH))



TYP DETAIL OF TIES



TIE SPACING DETAIL

NOTES

1. CONTRACTOR TO CHECK AND VERIFY ALL DIMENSIONS BEFORE EXECUTION OF THE WORK.
2. ALL DIMENSIONS ARE IN MM UNLESS OTHERWISE STATED.
3. FIGURED DIMENSIONS SHALL BE FOLLOWED.
4. FOR ALL OTHER NOTES AND REFERENCES REF SHT NO - 10 TO 33.

SL NO	DATE	DESCRIPTION	INITIAL
REVISION			

PROV OF EQUIPMENT TRAINING CLASS ROOM BLOCK WITH TOILET FOR MAC GP MIC & S AHMEDNAGAR

TYPICAL RCC DETAILS

DATE	14 MAR 2026	CHIEF ENGINEER	
DRN		PUNE ZONE	
TKD		PUNE	
CKD			
SCALE	AS SHOWN	MILITARY ENGINEER SERVICE	
DRG.NO	CEPZ / 2026/ANR/06(a)STR	SHT.NO	1/1

AD (DESIGN) *Amayshi* DIR (DESIGN) *Arjuns*